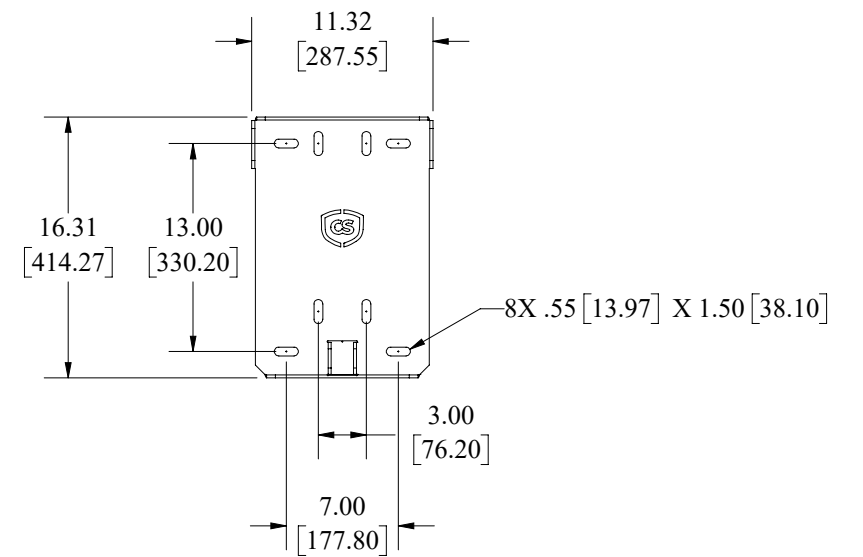
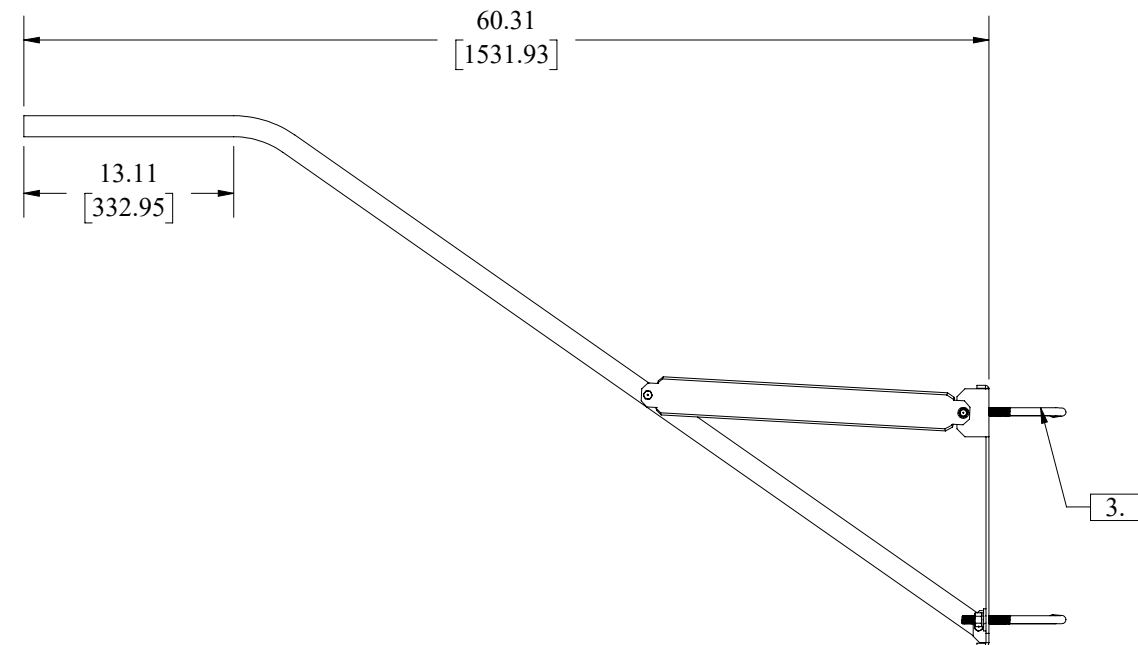
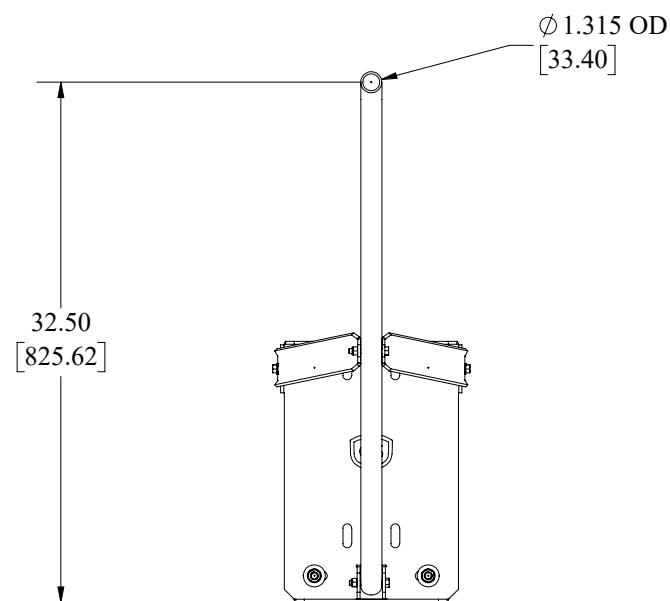


TYPICAL PILE ORIENTATION



NOTES:

1. 1-INCH NOMINAL PIPE SIZE
2. MATERIAL: ALUMINUM
3. J BOLT ACCOMMODATES 3 TO 4.75 INCH FLANGE WIDTH
4. W6X12 PILE SIZE RECOMMENDED
5. SEE SUNSENTRY INSTALLATION GUIDE FOR PILE EXPOSURE AND ORIENTATION



43150 & 43481
CM410 PILE MOUNT CROSSARM

© 2013 CAMPBELL SCIENTIFIC, INC.
THE INFORMATION CONTAINED IN THIS
DRAWING IS THE SOLE PROPERTY OF
CAMPBELL SCIENTIFIC, INC. ANY
REPRODUCTION IN PART OR AS A WHOLE
WITHOUT THE WRITTEN PERMISSION OF
CAMPBELL SCIENTIFIC, INC. IS PROHIBITED.

SCALE 1:12

UNITS: IN
[MM]

4/22/2025